

boyanika



OFFICE OF THE ODISHA STATE HANDLOOM WEAVERS COOP.SOCIETY LTD
PANDIT JAWAHARLAL NEHRU MARG, BOYAN BHAWAN, BHUBANESWAR-1
TEL : (Office) - (0674) 2395387, 2390741, 2391178, Fax - 0674 - 2530553
Email :- boyanikabbsr@yahoo.in,

TENDER DOCUMENT

FOR

NATIONAL LEVEL HANDLOOM EXPO

SPONSORED BY
HANDLOOMS, TEXTILES & HANDICRAFTS DEPTT.,
GOVT. OF ODISHA

AT - UNIT - III, IDCO EXHIBITION GROUND,
&
EKAMRA HAAT, BHUBANESWAR

COPY OF THE NEWS PAPER ADVERTISEMENT

boyanika

TENDER CALL NOTICE

No. 2281

Dt. 22.07.2024

Name of the work :- Construction of Exhibition Pavilion/Stalls, Front Gate, Stage, PH work, Electrification Work and other allied services for proposed National Level Handloom Expo at Unit-III, IDCO Exhibition Ground & Ekamra Haat, BBSR. **The last date and time of submission of tender :- 12.08.2024 at 1.00 P.M.** Please refer website **www.boyanika.com** for details. All the information on this tender notice will be available in the above website from 24.07.2024.

The authority reserves the right to accept or reject any or all the tenders without assigning any reason thereof

**Sd/-
Managing Director
Boyanika**



TENDER PAPERS FOR THE WORK OF
NATIONAL LEVEL HANDLOOM EXPO
AT – UNIT-III, IDCO EXHIBITION GROUND
& EKAMRA HAAT, BHUBANESWAR

CONTRACT DATA SHEET	:	Page No.	3
DETAILED TENDER CALL NOTICE	:	Page No.	4-6
GENERAL TERMS & CONDITIONS	:	Page No.	7-14
STANDARD SPECIFICATIONS	:	Page No.	15-18
SCHEDULE OF QUANTITIES (I) EXTRA ITEM	: :	Page No. Page No.	19-21 22-27
CONCEPTUAL DRAWINGS	:	Page No.	28-39
ANNEXURES	:	Page No.	40-46
BID SUBMISSION CHECK LIST	:	Page No.	47



CONTRACT DATA SHEET

Sl	Particulars	Details
1	Name of the Client	Odisha State Handloom WCS Ltd (Boyanika) Bhubaneswar.
2	Method of Selection/Tender Validity	Least Cost Selection Process / Up to 31.03.2025
3	Date of Issue of Tender	24.07.2024
4	Deadline for receipt of Tender	12.08.2024 (1 PM)
5	Date of Opening of Technical Bids	12.08.2024 (3.30 PM)
6	Date of Opening of Financial Bids	14.08.2024 (3.30 PM)
7	Expected date of commencement of Assignment	16.08.2024
8	Nodal Officer	The Nodal Officer for the purpose Name : Sri P.K Mohanty Executive Engineer, Boyanika. Phone - 0674-2391178 Mobile No - 9938476062
9	Bid Document Fee Non-Refundable	Rs.10,000.00 (Rupees ten thousand) only in shape of DD drawn in favour of the Odisha State Handloom WCS Ltd on any scheduled/commercial bank payable at Bhubaneswar.
10	Earnest Money Deposit (EMD) Refundable	Rs.2,00,000.00 (Rupees two lakh) only in shape of DD drawn in favour of the Odisha State Handloom WCS Ltd on any scheduled/commercial bank payable at Bhubaneswar.
11	Contact Person	Sri P.K Mohanty Executive Engineer, Boyanika Mobile No - 9938476062
12	Postal Address for submission of tender	Managing Director, Odisha State Handloom WCS Ltd, Boyan Bhawan, PJN Marg, Unit-III, Kharvel Nagar, Bhubaneswar, Pin-751001. Phone - 0674-2395387 E-mail : boyanikabbsr@yahoo.in
13	Mode of Submission of Tender	Speed Post/Registered Post/Courier only to the address as specified at Sl. No.12 during the office hour only. Submission of bid through any other mode and late bid will be rejected.
14	Place of opening of Tender	Conference Hall, Boyanika, Boyan Bhawan, Bhubaneswar
15	Website to visit for download of bid document	www.boyanika.com

**Sd/-
Managing Director**

Accepted by Contractor/Decorator



DETAILED TENDER CALL NOTICE

No. 2281

Dt. 22.07.2024

The Odisha State Handloom Weavers Cooperative Society Ltd., (Boyanika) on behalf of Handlooms, Textiles & Handicrafts Deptt., Govt. of Odisha is going to organize a National Level Handloom Exhibition from **Dt.04.09.2024 to Dt.06.10.2024** at Unit-III, IDCO Exhibition Ground & Ekamra Haat, Bhubaneswar. Sealed tenders in two bids "Technical Bid" & "Financial Bid" are invited from reputed firms/decorators/contractors having past experience and expertise to execute such type works for construction of stalls, gates, PH, electrification works & other allied services in accordance with the tender documents as follows :

- 1 Name of the work : Construction of stalls, gates, PH, electrification works & other allied services for NLHE at Unit-III, IDCO Exhibition Ground & Ekamra Haat, Bhubaneswar.
- 2 Earnest money to be deposited : Rs.2,00,000.00 (Rupees two lakh) only in shape of DD drawn in favour of the Odisha State Handloom WCS Ltd in any scheduled/commercial bank payable at Bhubaneswar. No relaxation shall be allowed in this score.
- 3 Cost of Tender Documents : Rs.10,000.00 (Rupees ten thousand) only (Non-refundable)
- 4 Availability of tender in the website : www.boyanika.com from **Dt.24.07.2024** to 1.00 PM on **Dt.12.08.2024**
- 5 Last date of submission of sealed tender in single envelope containing two separate sealed covers (Technical Bid & Financial Bid) superscripting the name of the work on the cover : Up to 1.00 PM on **Dt.12.08.2024** in the office of the Odisha State Handloom WCS Ltd, Boyan Bhawan PJN Marg, Unit-III, Kharavel Nagar, Bhubaneswar
- 6 Date of opening of tender : The Technical bids will be opened in presence of the tenderers or their authorized representatives at 3.30 PM on **Dt.12.08.2024** and the Financial bids in respect of tenderers qualified in Technical Bids will be opened at 3.30 PM on **Dt.14.08.2024** at Conference Hall of Boyanika, Boyan Bhawan, Bhubaneswar.
- 7 The tenderers should visit the work site & ensure about the existing condition of the site, nature of the site, the means of access to the site, the accommodation they may required & in general shall themselves obtain all necessary information as to risks, contingencies & other circumstances which may influence or affect their bid. A bidder shall be deemed to have full knowledge of the site whether he inspect it or not and no extra charges consequent on any misunderstanding or otherwise shall be allowed. The bidder shall be responsible for arranging and maintaining at his own cost all materials, tools & plants, water, electricity access, facilities for workers and all other services required for executing the work as per guidelines and unless otherwise specifically provided for in the contract documents

Accepted by Contractor/Decorator

4



8 The sealed tenders containing Technical Bid (cover-I) and Financial Bid (cover-II) in separate sealed covers to be sealed in a single envelope in conformity with DTCN and terms & conditions of the bid document should reach the office of the undersigned by scheduled date & time

9 The Technical bid must be accompanied with the following documents

- I** Cost of tender documents in shape of Demand Draft.
- II** EMD in shape of Demand Draft.
- III** Self attested photocopy of GST/GSTIN registration certificate and return copies up to 31st March 2024.
- IV** Self attested photocopy of PAN and return certificate of income tax for financial year 2020-21, 2021-22 & 2022-23.
- V** Self attested copy of the Work Order & Completion certificates confirming execution of similar National/International fares of experience of having successfully completed similar work during last 7 years ending last day of month previous to the one in which tenders are invited should be either of the following.

Three similar completed works costing not less than Rs.40.00 Lakhs (Rupees forty Lakhs) only

Or

Two similar completed works costing not less than Rs.50.00 Lakhs (Rupees fifty Lakhs) only

Or

One similar competed work costing not less than Rs.80.00 lakhs (Rupees eighty Lakhs) only

- VI** Self attested photocopy of valid electrical license from Competent Authority or authorization from any registered electrical contractor having experience in execution of such type of works for execution of electrical work. In case of authorization from any registered electrical contractor, the self attested copy of the valid electrical license of contractor has to be submitted.

- VII** **Self attested documents/papers in support of similar works. Similar work means- "Construction work of exclusive Textiles Fair/Expo/Exhibition i.e. Erection of Stall/Pavilion with balli pillars with bamboo structure, flooring with 19mm block board on wooden frame work furnished with synthetic carpet, cloth false ceiling, four sides walls with wooden frame work covering with ply along with painting, provision of doors and windows with lockable arrangement, electrical wiring with minimum 10 nos. 65/85 watt LED bulbs in 500 Sqft. stall area, outer area furnished with green netting and sufficient lighting arrangement with metal halides and decorative lights".**

- VIII** Audited statement of accounts (Balance sheet & Profit Loss account) of the firm for similar nature of business showing turnover not less than Rs.1.00 crore (Rupees one crore) Only in each year for the last 3 financial years (2020-21, 2021-22 & 2022-23) and I.T. return Acknowledgements

- IX** The Tenderers shall have to furnish the willingness of a Registered Security Agency along with their Registration Certificate & other required Statutory documents necessary for a security agency.



- X** The Tenderer shall have to provide services of Fire fighting personnel from a registered/duly certified/authorized fire agency with equipment and manpower along with consent letter of the agency.
- XI** The Tenderer shall have to furnish the willingness of a registered cleaning & sanitation personnel from a registered/duly certified/authorized cleaning & sanitation agency along with their registration certificates and other required statutory documents and consent letter from the agency.
- XII** Undertaking that no criminal case is pending with the police at the time of submission of bid **(Annexure-I)**
- XIII** Undertaking in shape of affidavit for not have been blacklisted by any Central/ State Govt./ any autonomous bodies during the last 3 years **(Annexure-II)**
- XIV** Undertaking regarding trueness and correctness of the information submitted by the firm **(Annexure-III)**
- 10** If the Layout or Quantity of work changes due to any statutory norms, the Committee will negotiate and decide, the decision of the Committee will be final and binding
- 11** Special Clause in case of any Pandemic, the contractor/decorator will have to go through all the precautions and shall have to obey all the latest guidelines, issued by Govt. of India, Govt. of Odisha & Statutory Local Bodies. However, if any changes to the layout plan, cancellation to any or whole part of the work need to be done, the contractor will have to agree without seeking any financial claim
- 12** The work shall have to be executed within **Dt.16.08.2024 to Dt.02.09.2024** and handover by 11.00 A.M on **Dt.03.09.2024**. The tenderer having necessary expertise & competency to complete the work within the stipulated time should participate in the tender process
- 13** The financial bid must be submitted in the prescribed format as per the tender schedule with item wise rate in words & figures & total financial involvement for the entire work
- 14** The Mela Authority is not bound to accept the lowest tender and reserves the right to inspect/verify the stock of materials required for this work, in Godown of tenderers by nominating a Committee to ascertain the credibility of the firm
- 15** If the office happens to be closed on the last date of receipt of bids as scheduled, the bids will be received on the next working day at the same time & venue
- 16** The authority reserves the right to accept or reject any or all the tenders without assigning any reason thereof

Sd/-
Managing Director



ODISHA STATE HANDLOOM WEAVERS COOP. SOCIETY LTD
PANDIT JAWAHARLAL NEHRU MARG, BHUBANESWAR – 751001
GENERAL TERMS & CONDITIONS

- 1** Sealed Tenders are invited from reputed Decorators/Contractor for construction of Exhibition Pavilion/Stalls/Front Gate, Stage, PH work, Electrification Work and other services for the proposed National Level Handloom Expo to be held at Unit-III, IDCO Exhibition Ground & Ekamra Haat, Bhubaneswar for the period from **04.09.2024 to 06.10.2024**. The rates to be finalized in this tender process shall be valid up to **31.03.2025** for any other such National Level Handloom Expo/National Handloom Expo like Gandhi Bunakar Mela at Bhubaneswar or inside the State of Odisha.
- 2** The tenderers should visit the work site & ensure about the existing condition of the site, nature of the site, the means of access to the site, the accommodation they may required & in general shall themselves Obtain all necessary information as to risks, contingencies & other circumstances which may influence or affect their bid. A bidder shall be deemed to have full knowledge of the site whether he inspects it or not and no extra charges consequent on any misunderstanding or otherwise shall be allowed. The bidder shall be responsible for arranging and maintaining at his own cost all materials, tools & plants, water, electricity access, facilities for workers and all other services required for executing the work unless otherwise specifically provided for in the contract documents
- 3** The Contractor while executing the work will have to strictly follow all the guidelines for any Pandemic situation issued by Govt. of India, Govt. of Odisha & Statutory Local Bodies
- 4** The sealed tenders containing Technical bid (cover-I) and Financial bid (cover-II) in separate sealed covers to be sealed in a single envelope in conformity with DTCN & terms & conditions of the bid document should reach the office of the undersigned by scheduled date and time. The submission of Technical bid (Cover-I) & Financial bid (Cover-II) separately without sealing in a single envelope will not be entertained.
- 5** If the office happens to be closed on the last date of receipt of bids as scheduled, the bids will be received on the next working day at the same time & venue
- 6** The bidder must submit their Tender by Speed Post/ Registered Post/ Courier only to the address as specified at Sl. No 12 of the CONTRACT DATA SHEET during the office hour only on or before the last date and time for submission of proposal as specified at Sl. No 4 of the CONTRACT DATA SHEET. Submission of proposal through any other mode and late bid will be rejected. The Client/Mela Authority will not be responsible for postal delay/any consequence in receiving of the proposals.
- 7** The work shall have to be executed within **Dt.16.08.2024 to Dt.02.09.2024** and handover by 11.00 AM on **Dt.03.09.2024**. The tenderer having necessary expertise & competency to complete the work within the stipulated time should participate in the tender process



- 8** The duration of Expo shall be 33 (Thirty-three) days. However, in case it is extended up to 3 (three) days, no extra payment shall be made to the Contractor/Decorator. In case the Expo extended for more than three days extra payment for each extended days(s) beyond 36 **days shall be made at the rate not exceeding proportionate cost for 36 days**. On completion of the Expo, the Contractor/Decorator shall have to take away all the materials within 7 (seven) days and shall have to vacate the site. He/they shall have to pay 25,000/- (Rupees Twenty five thousand) only per day for the days he occupies for vacating the site beyond the period allowed therefore. It is the responsibilities of the Contractor/Decorator to obtain clearance certificate from the Ground Authorities regarding clearance of the ground
- 9** The expo premises shall be formally made available to the Contractor/Decorator by Expo Authority on, as is where is basis on **16.08.2024**. The construction work must start immediately at site on the same day and be completed and handed over to the expo Authorities formally by 11.00 AM on one day prior to the opening of the Expo i.e. on **03.09.2024**. The progress of the work shall be checked and supervised by officers/Engineers duly nominated by the Mela Authority to ensure that the work is done as per the specifications and time schedule. Tenderer shall ensure proportionate progress to complete the work as per the time schedule
- 10** In addition for each hour of delay beyond 11.00 A.M. up to 5.00 PM of 03.09.2024, Rs. 25,000.00 shall be charged as penalty. After that, penalty equals to 25% of the work order value will be deducted, from the executed work incase Contractor/Decorator failed to deliver the site before 5.00 P.M. on 03.09.2024 with forfeiture of deposited EMD. In that case, Expo Authority can execute the work through other agency/departmentally and the cost will be deducted from the dues of the Contractor/Decorator.
- 11** The volume and number of works may vary at discretion of the Expo Authority; up to 50% of the contracted work either way & final payment to the Contractor/Decorator shall be regulated on the basis of actual work executed and on the rate(s) initially approved. For extra fittings contractor will have to quote rate separately. For all such extra fittings, the Expo Authority reserves the right to pay the lowest of the rates quoted by the competing Contractor/Decorator.
- 12** The Contractor/Decorator will be responsible for up keep and maintenance of the entire work done by him till the closing of the Mela, for which, no extra payments shall be made. He shall therefore, have to ensure adequate number of carpenters/helpers to the satisfaction of the Mela Authority. Breakages and damages in any work shall immediately be settled and no extra payment will be made for any damage, breakage or loss on account of any reason or natural calamities. Lay out plans etc. of the site shall be provided by the Mela Authority.
- 13** The Mela Authority reserves the right to reject any or all tenders without assigning any reason or to accept any portion of the tender and award the remaining work to any other Contractor/Decorator



- 14** Proper signage to be provided as per the requirement and as directed by Mela authority without any extra cost. The design of the signage should be collected from the Mela Authority and shall be provided in the locations as directed
- 15** Contract Negotiation, if required will be held at a date, time and address as intimated to the selected bidder. Representative conducting negotiations on behalf of the bidder must have written authority to negotiate and conclude a contract. Negotiation will be performed covering technical and financial aspect, if any and availability of proposed professionals etc.
- 16** No part of the contract will be sub-let without the prior written permission of the Mela Authority.
- 17** It shall be the responsibility of the successful Tenderer to obtain requisite permission for water, electricity power, and other essential connections/services at the Mela Ground for the duration of the Mela i.e. from the date the ground is handed over to the contractor / decorator for construction to the date the ground is handed over back to the Local Authority from whom it has been taken on rent. It shall also be responsibility of the contractor /decorator to liaise with the concerned authorities and arrange all the PH, electrical connection and other amenities that may be required for running of the Mela. However, security deposits, if required, shall be made by the Mela Authority. Letters to the concerned authorities shall also be addressed by the Mela Authority. Security deposits, installation charges and consumption charges for all PH and electrical connections for the duration of the Mela shall be paid by the Mela Authority, the contractor / decorator will however, have to pay all installation & consumption charges, both PH and electrical for the duration he takes over the ground to the time he formally hands over the complete work of the Mela to the Mela Authority
- 18** The contractor shall execute the work conforming to the requirements of fire safety guidelines of NBC/Local fire authority and shall obtain the required clearance certificate from the fire authority for the infrastructure erected at the Mela ground at his own risk. However the required correspondences shall be provided by the Mela Authority to the contractor
- 19** In regard to electrical fittings etc, the contractor shall have to engage qualified licensed Electrician / Contractor entitled to erect, handle and maintain high tension supply line and its up keep and maintenance
- 20** In regards to sweeping and cleaning services etc. the contractor shall have to engage experienced and licensed agencies to provide such services on behalf of the contractor
- 21** The contractor shall not use any materials other than those specified in tender without the prior permission of the Mela Authority.



- 22** The contractor shall have to obtain the required structural stability certificate from the competent authority for the infrastructures erected at the Mela ground at his own risk. However any correspondence required from the Mela authority will be provided to the Contractor/Decorator
- 23** No Advance shall be paid to the Contractor / Decorator till completion of the work and handing over to the Mela Authority. However, part payment up to 60% of the contract value of the total work may be considered for payment to the Contractor/Decorator within 5days time of the inauguration of the Mela subject to satisfactory completion of the work in due time. The balance final payment of the work will be made only after completion of the Mela and handing over of the ground to the Ground Authority (IDCO).
- 24** All the Tenderers should fill the rate tendered in figures as well as in words. The tender form may be filled in English and all entries made by hand and written in ink. Over writings in rate is not permitted. All corrections should be attested by the tenderers with his initials as many times as corrections occur. Each page of the tender document and other related papers submitted there-with should be signed by the Tenderers along with page number. Any discrepancy in the rates written in figures and words, then rates written in word is final. Similarly discrepancy in the rates quoted for unit rate and total amount, and then the rate quoted for unit is final
- 25** The Tenderers are required to deposit an earnest money of Rs.2,00,000.00 (Rupees Two lakhs) only. The amount of earnest money will be accepted only in the form of Demand Draft drawn in favor of the Odisha State Handloom WCS Ltd., (boyanika), Bhubaneswar. No relaxation shall be given to any firm like NSIC/DIC/MSME registered firms etc. Only those tenderers who have necessary expertise and competency in the execution of the job within the stipulated time should submit the tenders. The tender without earnest money shall be out rightly rejected
- 26** The Mela Authority is not bound to accept the lowest tender and reserves the right to inspect / verify the stock of materials required for this work, in Godown of tenderers by nominating a Committee to ascertain the credibility of the firm. Further the undersigned/Mela Authority reserves the right to reject any or all tenders without assigning any reasons. Conditional tender in any form whatsoever will not be qualified/considered and will be liable for outright rejection.
- 27** The successful Tenderer shall sign an agreement in Non-judicial stamp paper of appropriate value with deposit of 10% (Ten Percent) of the Contract Amount (basic cost only without GST), in shape of Bank Guarantee towards performance security within 3days after intimation of acceptance of the tender. The performance security of 10% (Ten Percent) includes the amount deposited as EMD with the tender document. Failure to do so shall give the Mela Authority the right to revoke the acceptance of the tender without further notice to the Tenderer, forfeit the earnest money deposits and award the work to any other contractor / decorator



- 28** The successful Tenderer shall have to arrange sanitary and water supply arrangements for his/their workers to avoid unhygienic condition inside the Mela ground
- 29** The Earnest/Security Money of successful Tenderer will be retained for successful completion of the contract and shall be returned only after Mela is over
- 30** The Tenderers shall have to quote their rates for hiring charges only inclusive of erection, transportation, and dismantling, but exclusive of GST
- 31** All the items of works shall be executed as per the direction of the Engineer In-charge appointed by the Mela Authority and the decision of the Engineer In-charge as regards to design concept is final and binding on the contractor/decorator. The drawings provided in the tender document are conceptual only and may vary during execution as per site condition or requirement of the Mela Authority and the contractor shall have to execute the works accordingly without any extra claims.
- 32** The Tenderers are required to quote their rates per unit for entire period of the Mela.
- 33** The contractor / decorator shall have to liaison and obtain the required clearance of Fire, Police and Structural stability etc. from competent authorities. However, required letters to the concerned authorities shall be addressed / issued by the Mela Authority
- 34** The agency should not have been indulged in any corrupt practice or convicted by any court of law. No adverse orders should have been passed against the agency by any Government authorities. No investigation by any authority as stated above should be pending against the agency
- 35** Income tax as applicable shall be deducted at source from all accepted payments, in accordance with the provisions of Income Tax Act, 1961 as amended from time to time
- 36** No modification to the bid documents shall be allowed once it is received by the authority
- 37** Any stage programme shall be conducted by running generator and the same is to be provided by the Contractor/Decorator as per requirement without any extra cost.
- 38** The selected contractor/decorator shall have to furnish the name of at least two managers of their firm who will be deployed at site to supervise the work and to report to the Engineer In-charge appointed by the Mela Authority.
- 39** If the Layout or Quantity of work changes due to any Pandemic/Statutory norms, the Designated Committee will negotiate and decide. The Decision of the committee will be final and binding.



40 Special Clause of Pandemic

The contractor / decorator will have to go through all the precautions and shall have to obey all the Pandemic guidelines if any, as issued by Govt. of India, Govt. of Odisha & Statutory Local Bodies. However if any changes to the layout plan, cancellation to any or whole part of the work need to be done, the contractor shall have to agree without seeking any financial claim

41 Technical Bids

The firm have to submit the Technical Bid in the prescribed format i.e. Covering letter and other information as per the “Annexure-IV” along with required documents fulfilling the eligibility Criteria as follows

- I** Cost of tender documents in shape of Demand Draft.
- II** EMD in shape of Demand Draft.
- III** Self attested photocopy of GST/GSTIN registration certificate and return copies up to 31st March 2024.
- IV** Self attested photocopy of PAN and return certificate of income tax for financial year 2020-21, 2021-22 & 2022-23.
- V** Self attested copy of the Work Order & Completion certificates confirming execution of similar National/International fares of experience of having successfully completed similar work during last 7 years ending last day of month previous to the one in which tenders are invited should be either of the following.

Three similar completed works costing not less than Rs.40.00 Lakhs (Rupees forty Lakhs) only

Or

Two similar completed works costing not less than Rs.50.00 Lakhs (Rupees fifty Lakhs) only

Or

One similar competed work costing not less than Rs.80.00 lakhs (Rupees eighty Lakhs) only
- VI** Self attested photocopy of valid electrical license from Competent Authority or authorization from any registered electrical contractor having experience in execution of such type of works for execution of electrical work. In case of authorization from any registered electrical contractor, the self attested copy of the valid electrical license of contractor has to be submitted.



- VII Self attested documents/papers in support of similar works. Similar work means- "Construction work of exclusive Textiles Fair/Expo/ Exhibition i.e. Erection of Stall/Pavilion with balli pillars with bamboo structure, flooring with 19mm block board on wooden frame work furnished with synthetic carpet, cloth false ceiling, four sides walls with wooden frame work covering with ply along with painting, provision of doors and windows with lockable arrangement, electrical wiring with minimum 10 nos. 65/85 watt LED bulbs in 500 Sqft. stall area, outer area furnished with green netting and sufficient lighting arrangement with metal halides and decorative lights".**
- VIII** Audited statement of accounts (Balance sheet & Profit Loss account) of the firm for similar nature of business showing turnover not less than 1.00 crore (Rupees one crore) Only in each year for the last 3 financial years (2020-21, 2021-22 & 2022-23) and I.T. return Acknowledgements
- IX** The Tenderers shall have to furnish the willingness of a Registered Security Agency along with their Registration Certificate & other required Statutory documents necessary for a security agency.
- X** The Tenderer shall have to provide services of Fire fighting personnel from a registered/duly certified/authorized fire agency with equipment and manpower along with consent letter of the agency.
- XI** The Tenderer shall have to furnish the willingness of a registered cleaning & sanitation personnel from a registered/duly certified/authorized cleaning & sanitation agency along with their registration certificates and other required statutory documents and consent letter from the agency.
- XII** Undertaking that no criminal case is pending with the police at the time of submission of bid **(Annexure-I)**
- XIII** Undertaking in shape of affidavit for not have been blacklisted by any Central/ State Govt./ any autonomous bodies during the last 3 years **(Annexure-II)**
- XIV** Undertaking regarding trueness and correctness of the information submitted by the firm **(Annexure-III)**
- 42** The Bidders are subject to disqualified if they have:
- I** Made misleading or false representations in the forms, statements and attachments submitted in proof of the qualification requirements
 - II** Record of poor performance such as abandoning the works, not properly completing the contract, inordinate delays in completion, litigation history or financial failures etc
 - III** Participated in the previous bidding for the same work and had quoted unreasonable price and could not furnish rational justifications to the authority
 - IV** Indulged in unlawful and corrupt means in obtaining the bids
 - V** Been black listed/ suspended by the competent authority



43 Financial Bid

The financial bid must be submitted in the prescribed format (As per the schedule of Quantities at Page **19-27**) along with covering letter (Annexure-V) which shall be exclusive of GST. The unit rate should be for the entire period of the Mela

44 Selection of firms for Infrastructure work.

The decorator for the event will be selected on the basis of Technical Criterion and lowest financial quote

45 Any Disputes arising out of the contract, the Decision of the Director of Textiles and Handloom-cum-Additional RCS, Govt. of Odisha shall be final & binding

46 The Managing Director/Expo Authority will read and include Managing Director, Odisha State Handloom Weavers; Co-operative Society Ltd., Bhubaneswar who is organizing Expo.

**Sd/-
Managing Director**



**STANDARD SPECIFICATIONS FOR THE INTERIOR AND EXTERIOR
DECORATION WORK OF THE EXHIBITION PAVILIONS / STALL FOR
NATIONAL LEVEL HANDLOOM EXPO.**

STANDARD SPECIFICATIONS

The structures should be steady and neatly finished. The basic structure is to be constructed with Balli Pillars and the rafter and purlins with bamboo at a distance not less than 2' (refer drawing No.1). The roof is to be covered with good quality fire retardant and water proofing PVC coverage and should be without any imperfection and holes to prevent leakages of water in the advent of rains in order to protect the products of the participants. Sufficient slope is to be provided to ensure water drainage in case of rains. The front should have minimum of height of 13.5` from the ground and the back should have a minimum height of 10.5`. The platform is to be made of ¾" ply block board and should be at 0.5` height from the ground according to site conditions. Proper bracings at a distance of 2' (both vertical and horizontal) should be constructed to give platform enough strength and to withhold the anticipated crowd to the Expo. Good quality synthetic carpet Flooring cleaned by mechanized process of approved quality should be laid on the platform. The gap between ground and platform should be covered with 4-mm ply.

The back and front side walls should be made of 4' frame work of not less than 3" x 1" vertical and at least 1" horizontal frame work covered with 4 mm. Ply board. Dividing walls should also be made as per the above specifications. The minimum height of the walls from platform should be 8'. The new white cloth ceiling treated with fire retardant solution as directed by Fire Authority should be fixed at 8.5' from the platform. A step at the entrance should be provided to enable the visitors to the Expo (as per the drawing to have an easy access to each pavilion). The front flex fascia should be as per approved design. The entire backsides of the stall should be fixed with 4mm Ply with wooden frame work.

Sale counter and cash counter is to be fabricated either with iron folded table or with 18 mm. Commercial block board/wooden post and shelve/similar nature of material as per site requirement and properly painted with approved shade colour. Height should be 30" and the width 1'6"/2'. The length of the counter will not be less than 24 Ft in each 250 Sft/48 Ft in each 500 Sft Pavilion/Stall.

One cash counter of 3' x 4' x 2.5' shall be provided in addition to the stipulated sales counters to each of the pavilion/stall with a provision of drawer and with a provision of chair for the cashier and three extra chairs for each 500Sft. stall. Proper locking should be provided with cash counter. 24 Ft length rack for 250 Sft/48 Ft length rack for 500 Sft stall should be provided in each pavilion and should be fabricated either with iron folded racks or with commercial block board/wooden post and shelves/similar material of size 24 Ft/48 Ft X 1.5'X8' with 5 shelves each (refer drawing). The racks to be provided should be properly painted with approved quality paints.

In case of existing stalls length of racks will be 10 Ft & length of counter will be 8 Ft with other specifications as above.



For each pavilion 2 nos. fire Extinguishers as approved by Fire Authority shall have to be installed. One each for common and another suitable for electrical fire along with fire extinguishers for each Pavilion, 2 nos. of buckets (specially designed for fire fighting) containing water in one and sand in another to be installed. They should be installed at places as directed by the Fire Authority. The Contractor/Decorator shall have to obtain the Fire Safety Certificate at his own risk from the concerned fire authority. Electrical light and fan fittings to be provided with necessary wiring on main line separately for (a) fan (b) light (c) night lamp, distribution and point wiring including switch, main switch etc., using ISI standard wire and light fittings complete as may be approved by the local electrical authority. All fittings should be properly focused to enable enough/proper lighting at the sales counter and general lighting at the pavilion.

The following fittings will be provided:

Pavilion size (in sq. ft.)	LED 65W & above	Inverter Bulb	Ceiling Fan	Extra Night Lamp-cum-Inverter connection out of the provision as under.
1	2	3	4	5
250	5	1	1	1
500	10	2	2	2

(Contractor/Decorator should provide requisite number of Invertors as stand by so as to provide connections to the number of lights as mentioned under column-4 in the case of power failures. Cost of the invertors should be covered while quoting per sq. ft. rate for the pavilions. The capacity of the invertors must be such as to meet the load of the installations under Col.4).

All electrical works including fittings and fixtures and wiring must be done through a licensed Electrical Contractor borne in the current approved list of PWD (Electrical/CPWD, etc) who will submit and obtain necessary approvals and submit TEST FORM to Executive Engineers, PWD/ Electrical Inspector Govt. of Odisha (Electrical for Power connections).

The Contractor/Decorator shall quote rental for the following items for the duration of the Expo. The rental shall be inclusive of all wiring, trenches inclusive of all cabling from switch transformer to boards, distribution boards for each block of 10 shops to main panel board for three phase meter for requisite power load inclusive of all equipment structures and fittings as required for the electric supply and contact from the supply terminal to and inclusive of distribution board for a block of 10 shops as approved. Installation of transformer(s) shall also be the responsibility of the Contractor/Decorator. He/they shall also supply fix and maintain HRC fuses. TP switches fuse kits, DP switch fuses, porcelain Kit-kat etc., required for the distribution of power to individual shops. Complete safety measures shall be adopted and all cable joints etc., properly earthed with copper conductor and sufficient earthing pits provided under direction and approval of the Managing Director/Expo Authority. The rental shall include constant attendance of the qualified and experienced electrician for the maintenance and service (entirely at the cost of the Contractor/Decorator) as required.



Besides the LED light, spot lights, fans etc. mentioned in the general construction, the Contractor/Decorator has to provide the following lighting arrangements. Providing and fixing Halogen light outdoor type water proof fittings complete the under ground wiring and steel fixing brackets of 75mm x 6 mtrs high ('A' class steel poles duly painted black or as per instruction of the Managing Director/Expo Authority with two/four) 1000 watt halogens (quote separately for two/four). Providing and fixing 4' long fluorescent tube light on new steel patties in the parking area. WC bathroom, etc., as per the instructions of the Expo Authority. The number of lights should be sufficient to avoid darkness and as per instructions given by Expo Authority. Complete public address system with a powerful (PA 60) switch over type amplifier with 2 cordless microphones, tape player and 20 numbers loudspeakers strategically placed on the ground and parking area is to be provided. A full time operator and a full time announcer as approved by Expo Authority shall be provided by the Contractor/Decorator to operate the Sound System, play cassettes of recorded instrumental music and to announce the required information's as & when required. The control, amplifier etc will be located in or near the office.

Construction of office/auditorium is same as Exhibition pavilion except no rack, counter and new synthetic carpet Flooring and front partition with transparent acrylic sheet fitted with octagon Structure. Sufficient office furniture/fixtures and other office items as instructed, at site by Expo Authority should be provided at the Pavilion by the contractor without any extra cost. Office furniture shall include (1) four executive sofas (2) 2 nos. of table (3) 30 nos. chairs (4) 1 room cooler/room heaters (5) one 21" colour TV set. (6) 20 lts. of mineral water per each day for the entire period of expo (7) tray/glass/jug/flask etc. Announcer Cabin will be provided therein as directed. Additions/alternations may be suggested at the site by the Expo authority, for which, no extra payment shall be made to the contractor. A full and half size steel almirah with lock and key is to be provided.

Construction of service stalls are same as Exhibition Pavilions except racks but with new synthetic carpet Flooring. One counter with glass window, eight chairs and a drawer with locking facility will have to be provided. The counter shall be 300cm long or as directed by concerned Authority including lighting as direct. Two pedestal / ceiling fans should also be provided in such stalls.

A Theme Pavilion as per specification and as per approved design with provision of minimum 2500 sft usable area for display of looms/fabrics and instruction given by Expo Authority at site. The size of structure will be 50 Ft. dia in base portion and 40'Ft to 60 Ft. height for which reference drawings have been enclosed herewith. The sample reference drawings are illustrative only. The structure should be strong and steady and neatly finished. The basic structure is to be constructed with bally pillars and bamboos with wooden framework covered with ply/approved design flex/ plaster parish and clothes etc. as per advice.

A Garage for fire tender is to be provided with Tarpaulin over steel pipe structure with a difference in height, i.e. 24' in front and 20' in the back. Dimension of the garage should be 24' x 32'. There is no plywood work. Front side will remain open and rear wall should be kept closed with Tarpaulin (partition wall, roofing will be made out of Tarpaulin) including lighting as directed. Two pedestal fans; five chairs and 7 folded beds are to be provided. Arrangement for a tent accommodating seven beds near the garage shall also have to be provided.



Construction of First-Aid Centre shall be as per office with provision of one medical bed, one fridge and deep green door /window cotton and as directed by the First-Aid Authority.

The above specifications are the minimum requirements. Further instructions on the spot will be given by the First-Aid / Fire / Bank / PO / Police /WSC Authority in case any deviation is deemed necessary. No extra payment shall be made to the contractor for all such addition/alterations.

KIOSKS: In case of requirement size of each kiosk will be 24' x 12' x 8' with GCI/Tarpaulin roof and shall have facia of 4' on all the four side. Each kiosk should be provided six tables of 4'x4'x4' size with decorative cloth covering (to be changed in alternate day) and provided with flex top bearing Expo Logo, thirty chairs, six 65watt LED bulbs with power plug connection, two drum of 6' height to store disposable/wastes and power connection wherever required (the number of extra power points with connections and to the stalls where such connections are to be provided shall be intimated at site by the Expo Authority). Electrical wirings inside the kiosks should be done on conduct piping so as to avoid the fire hazards. Flooring should be leveled and raised with 3" bricks and false ceiling to be provided with wooden batten frame work with flat AC sheet covering. All the KIOSKS should be provided with water connection with provision of one sink, one drum for storage of water and cooking place etc.

A proper stage and dais of size 40 Ft. X 32 Ft of 3' height along with a ramp of adequate length (4' X 20') should be provided with approved colour woolen carpet, 15 nos. of new decorative/ attractive sofa, 25 nos executive chairs with white Turkish towels and provision of Open Auditorium for at least 300 persons with platform, ceiling, 3' height side walling, chairs, one attractive podium along with sound system etc., for the inaugural/ closing function and seminar/ work shop/Buyer-Sellers meet, which will be remained for entire period of the Expo. The stage along with ramp should be so prepared for using fashion/ramp show and in such cases the Dias to be covered with approved colour vinyl flooring. A green room of size 40 Ft X 20 Ft with separate provision for Ladies and Gents artist with a urinal.

All the material used for construction of Exhibition pavilions/kiosks etc., should be meet the approval of the Expo Authority. Notwithstanding any thing contained in the aforesaid clauses and in the accompanying schedules, the Expo Authority is competent to effect change of the venue and to the schedules accordingly or even cancel the Expo before the work is formally awarded and the Contractor/Decorator will not have any claim against the Managing Director for the preliminary work(s) or any other expenses incurred by the contractor in connection with this tendering for the work and further proceedings thereon until such alternation or cancellation.

Sd/-
Managing Director



**SCHEDULE OF QUANTITIES FOR THE QUOTATION
ON NATIONAL LEVEL HANDLOOM EXPO
AT UNIT - III IDCO EXHIBITION GROUND & EKAMRA HAAT, BHUBANESWAR**

Sl	Particulars As per details in Standard specification	Number of required units	Rate per unit (in figure and words)	Total amount
1	a) Pavilions/Stalls with all provisions as per standard specification/schedule. 32 Ft x 16 Ft of usable area with 5 Ft front projection as Veranda.	100 nos. (Measuring 512 sft)		
	b) Implementing Agency Pavilion of 2500 Sft. As per auditorium except furniture.	1 Unit		
2	Stalls measuring 13 Ft X 8 Ft without front covering but as per other standard specification.	100 nos. (Measuring 104 sft) 1 Unit		
3	Construction of Auditorium-cum-Office as per standard specification/schedule.	1 Unit (2500 Sft.)		
4	Construction of Service stalls standard specification/schedule	5 Units (250 Sft each)		
5	Fire Brigade Garage as per standard specification/schedule	1 unit		
6	Theme Pavilion as per the schedule and approved design.(2500-3000 sft)	1 Unit		
7	Providing stage with ramp along with sitting arrangement at least for 300 persons with erection of 150' X 50' covered with roof, Auditorium with platform, ceiling, 3' height side walling etc. and 15 sofas, chairs, 25 nos. executive chairs with 25 nos. of white new Turkish towels for the inaugural/ closing functions/ seminar/ work shop/buyer seller meet. A temporary urinal to be provided along with proper sanitary arrangement.	1 Unit		
8	Providing and fixing of KIOSKS including lighting at suitable places as per schedule. a) 24' x 12' x 8'	10 Nos.		
9	Providing gate as per design given in reference drawing.	4 Nos.		
10	Flex Hording as per approved design inside/outside premises of the Expo ground. (Unit - One Sft.)	17500 Sft.		
11	Application of fire retardant solution to the entire structure and allied materials of Expo	LS		
12	Providing of New Appliqué umbrella for electrician post for entire period of Expo.	12 Nos.		
13	Inaugural kits consisting a brass/silver decorative deepa stand, 500 gm ghee, a bundle of balita, one packet karpur, one match box, one packet of incense sticks, one roll red ribbon, one scissor, one tray covered with red velvet cloth, two nos colored candle etc as required for inaugural function.	LS		
14	Flower decoration to 4nos. of gates, theme pavilion, stage, implementing agency stall, auditorium & with a Alpana of size 10' dia including cost of 25nos. flower bouquets consisting minimum 20 roses in each bouquets along with 1 bouquets made up with Oriental lily flower on day of inaugural function.	LS		
15	Multi color balloon decoration inside the Expo ground.	3000nos.		



16	Snacks packets in proper packaging consisting one samosa (singada), one vada (bara), one vegetable chop, one rasagola and one gulabjamun.	1000 packets.		
17	Preparation of artificial fountain with all cost of material and labour charges.	1 Unit		
18	Providing of red color woolen/ synthetic carpet.	3000sft.		
Electrical Items				
19	a) Providing all electrical connections, fittings and fixtures as per schedule. liaisoning with electrical authority for power connection, conducting Electrical inspection/Clearance Certificate shall have to be obtained from the concerned authority by the contractor.	One Unit		
	b) Maintenance of electrical system by engaging 18 nos. of qualified/licensed electrician in shift wise duty as per schedule	31 Days		
20	Street and Parking lights as per schedule.			
	a) 2 halogens	5 units		
	b) 4 Halogens	2 units		
	c) 2 LED flood light (200watt)	50 units		
	d) 4 LED flood light (200watt)	50 units		
21	LED lights (as per schedule 6 LED lights plus 1 Inverter Bulb – one Unit.)	250 Units		
22	Public announcement system as per schedule with full time announcer and full time operator.			
	a. Hiring charges of systems for entire period of expo	1 unit		
	b. Charges of announcer for entire period of expo. (daily 8 hours)	1 unit		
23	Illumination of the entire front Compound Wall of the Expo ground and in existed trees with proper lighting by providing running Tuni / Rice Tuni / Bulb Chain etc.	1 Unit.		
24	100 KVA DG Set. (excluding fuel) Rate of consumption of fuel per hour along with cost of fuel to be furnished.(For two hours per day no fuel charges will be provided)	3 Nos.		
25	Providing of 1000 nos. decorative appliqué lamp as per approved location.	LS		
26	Providing of Chemical earthing	2 Sets		
27	Ceiling fan	300Nos.		
28	Providing of multi color palco 30nos.	31 days.		
29	Illumination of entire Ekamra Haat premises i.e. all structure, all large & small size plants in befitting manner with 1000 nos of decorative appliqué lamp, 3000 nos of Rice/Tuni/Bulb chain of measuring 40 Ft each along with adequate colour LED lights covering all trees up to 8 Ft. height with bulb chain	LS		
WATER SUPPLY AND SANITARY				
30	Cleaning of entire premises of IDCO Exhibition Ground and lifting of entire debris stacked in the ground by truck/tractor load from the ground to the dumping yard and erection of GCI sheet partition in the portion of the bathing complex.	LS		
31	Bathing complex- Construction of 2 numbers temporary water vat of size with inner dimension 20'-0" length, 4'-0" width and 3'-0" depth with 10" brick work finished with plastering and punning complete in all respect with a provision of a cemented platform either with brick soling with cement mortar or RCC slab of size 20'-0" x 6'-0"	2 Nos.		



	linking to water vat.			
32	Water supply- Placing of 4 nos 1000 Ltr capacity PVC water tank in different locations and one 2000 Ltr capacity PVC tank near bathing complex, linking to main PVC tank to toilets and bathing vats as required complete in all respect including all cost of material and labour cost.	LS		
33	Sanitary Arrangement - a) Construction of 25 nos toilet blocks of size 3'-0" x 3'-0" with fixing of Indian style pan in brick base work with plastering and punning and four side GI sheet partition minimum up to 7' height with provision of GI sheet/ply shutter with locking arrangement to maintain proper privacy. All the toilet blocks to be provided with water tap connecting to 2000 Ltr water tank installed near bathing complex. All the toilet blocks to be linked with construction of a temporary septic tank of size 10'-0" dia and 8'-0" depth with proper arrangement to avoid foul gas, with all cost of material and labour charges.	LS		
34	b) Construction of a toilet of size 6'-0" x 3'-0" linking to Expo office either with brick work or ply work cladding with ceramic tiles in floor and wall up to 5' height with provision of a toilet pan, urinal basin, wash basin, mirror, towel ring and two nos tap with linking to a temporary leach pit with water supply arrangement. Roof to be covered either with GCI sheet or tarpaulin and false ceiling with ply and painting finishing in all respect.	2nos.		
35	Sweepers (20 Nos. per days)	31 Days		
36	PH Plumber (3 Nos. per Day)	31 Days		
37	a. Cleaning and Shifting of entire derbies of the ground prior to stating of the work.	LS		
	b. Leveling/Filling of pot holes with sand of the entire ground	LS		
38	New Green netting in the entire open space of the Expo ground.	2,50,000 Sft.		
39	3 tier Storage Rack made up with Wooden/Iron frame work & ply covering with new white cloth of 10 Ft length & Sales Counter made up Wooden/Iron frame work & ply covering with new white cloth in each existing stall measuring 10'0" X 12'0" - for 31 days	80 Units		
40	Partition with wooden frame work covering both sides with 4/6 mm ply including painting or covering both sides with new white cloth 11'0" X 9'0"	35 Units		
41	Security Guard (40 nos. per day)	31 Days		
Grand Total				
In words (Rupees) only				

**Sd/-
Managing Director**

Accepted by Contractor/Decorator



EXTRA ITEMS				
Sl.	Particulars As per details in Standard specification	Number of required units	Rate per unit (in figure and words)	Total amount
1	Providing boundary wall with clean GCI sheets on wooden poles/pillars wherever required.	Rate per running ft with 10' height.		
2	Providing and fixing flag on stall poles 20' height with 3' x 6' size new satin cloth of different colour.	Rate per 1(one) no/day.		
3	Providing of decorative approved design fascia/flex framing for front side of the exhibition.	Rate per Sft.		
4	Plastic molded chairs with arm.	Rate per 1(one) no/day.		
5	Garden Chairs/Banquet Chairs.	Rate per 1(one) no/day.		
6	Extra sound system with stage light for cultural program.	Rate per day.		
7	Preparation of a) cloth Banner as per approved design. b) Flex banner as per approved design	Rate per Sft.		
8	Temporary structure with balli Pillar and bamboo structure with tarpaulin cloth ceiling and walling.	Rate per 1(one) Sft.		
9	Decorative woolen carpet.	Rate per one		
10	Painting and lettering as per approved design.	Rate per Sft.		
11	100-Watts Bulb	Rate per one no.		
12	Metal Halide 400 watt /sunlight 400 watt.	Rate per one no. per day.		
13	LED tuni/rice chain.	Rate per 100Ft. length		
14	Roadside Electrical Decorative structural light with miniature bulbs, size 3' x10'.	Rate per one no. per day.		
15	Providing and fixing of running chain light.	Quote per 100Ft length		
16	Hiring charges of water tanker (Inbuilt unit with truck/ tractor with arrangement of water pump.) to be stationed at Exhibition Ground for full time (it is required to supply minimum five times by the tanker & tanker to be stationed for 24 hours at the Exhibition Ground.)			
	i) 10,000 ltrs. Capacity.	Rate per day		
	ii) 5,000 ltrs. Capacity.	Rate per day		
	iii) 5,000 ltrs. Capacity.	Rate per trip		
17	Providing of Sandwich Man (Cartoon) for display/ publicity with Special Expo symbol.	Rate per one unit for entire expo period.		
18	Quote separately for extra fittings in the sales pavilion i.e			
	i. Ceiling fan	Rate per day/per no		
	ii. Pedestal Fan	Rate per day/per no		
	iii. Rack	Rate per day/per Sft		
	iv. Counter	Rate per day/per Rft		



19	Electrical display gate in different location	1 No		
20	Road Crossing display gate with balli pillars with bamboo structure covering with handloom cloth on wooden batten frame work as per approved design			
	a. Single Gate	LS		
	b. Double Gate	LS		
21	a) Snacks packets in proper packaging consisting one samosa (singada), one vada (bara), one vegetable chop, one rasagola and one gulabjamun.	Rate to be quoted per packet.		
	b) Snacks packets in proper packaging with one veg-sandwich / Petis, one samosa (singada), one vegetable chop, one spring roll with two dry sweets like milk cake/sandesh	Rate to be quoted per packet.		
22	a) Sweets in gift packet with proper packaging consisting 3 Kg dry sweets like sandesh / kalakand / sonpampadi etc.	Rate to be quoted per packet.		
	b) Dry fruits in gift packet with proper packaging consisting 3 Kg dry fruits like Dates, Kaju, Almond, Pista, Wallnut etc.	Rate to be quoted per packet.		
23	Salt kaju	Rate/1 Kg.		
24	Plain kaju	Rate/1 Kg.		
25	Salt biscuits	Rate/1 Kg.		
26	Mixtures	Rate/1 Kg.		
27	Green coconut (paida)	Rate/1 No.		
28	Cold drinks- 250 ml / 300 ml	Rate/1 Btl.		
29	Cold drinks- 1 ltr	Rate/1 Btl.		
30	Coffee	Rate/1 Cup.		
31	Tea	Rate/1 Cup.		
32	Fruits			
	a. Grapes	Rate/1 Kg.		
	b. Orange	Rate/1 Kg.		
	c. Apple	Rate/1 Kg.		
33	Veg. food packets containing rice, dal, two vegetable curry, 2 nos chapatti/roti with salad and pickles.	Rate per 1 packet.		
34	Providing catering for veg meals consisting Jeera Rice/Matar Palai Rice, Roti, Dal Fry, Mix Khata, Veg Kadai curry, Paneer Butter Masala, Mushroom, Salad, Alu Kobi Kasa, Dahi bara/paneer/mashroom pakoda, Pampad, Mix fry Vaji, Ice cream, Khiri/Khira/Ras Malai, water bottle one welcome drink	Rate per 1 plate.		
35	Non-Veg. food packets containing rice, dal, one non-veg curry (Chicken/Fish), 2 nos chapatti/roti with salad and pickles.	Rate per 1 packet.		
36	a) Providing catering for Non-veg meals consisting Mutton with Jeera Rice/Matar Palai Rice, Roti, Dal Fry, Mix Khata, Veg Kadai curry, Paneer Butter Masala, Mushroom, Salad, Alu Kobi Kasa, Dahi bara/paneer/mashroom pakoda, Pampad, Mix fry Vaji, Ice cream, Khiri/Khira/Ras Malai, water bottle one welcome drink	Rate per 1 plate.		
	b) Chicken/Fish with Jeera Rice/Matar Palai Rice, Roti, Dal Fry, Mix Khata, Veg Kadai curry, Paneer Butter Masala, Mushroom, Salad, Alu Kobi Kasa, Dahi bara/paneer/mashroom pakoda, Pampad, Mix fry Vaji, Ice cream, Khiri/Khira/Ras Malai, water bottle one welcome drink	Rate per 1 plate.		
	c) Prawn with Jeera Rice/Matar Palai Rice, Roti, Dal Fry, Mix Khata, Veg Kadai curry, Paneer Butter Masala, Mushroom, Salad, Alu Kobi Kasa, Dahi	Rate per 1 plate.		



	bara/paneer/mashroom pakoda, Pampad, Mix fry Vaji, Ice cream, Khiri/Khira/Ras Malai, water bottle one welcome drink			
37	Digital multi colour pamphlet/ Poster/Participation Certificate with paper 250 GSM- of approved design			
	a. A3 Size	Rate per 1pkt		
	b. A4 Size	Rate per 1pkt		
	c. 1/8 Size	Rate per 1pkt		
	d. 1/8 Size (4 pages single fold) Invitation Card with envelop.	Rate per 1pkt		
38	Leaf lets of 1/8 size with 110 GSM paper in digital multi colour	Rate per 1000 Nos.		
39	Conference folder			
	a. Executive Folder	Rate per No.		
	b. Plain Folder	Rate per No.		
40	Writing pad of size 19 cm x 22 cm containing 100 pages of paper 60 GSM both ruled and unruled of Times /Oxford/Navneet make.	Rate per No.		
41	Writing pad of size 20 cm x 15 cm containing 80 pages of paper 60 gsm both ruled and unruled of Times / Oxford / Navneet make.	Rate per No.		
42	Writing pen (use and throw type) of Montex / Reynold / Cello make etc.	Rate per No.		
43	Diary of Times / Oxford / Archies make			
	a. Executive	Rate per No		
	b. Semi Executive	Rate per No		
	c. Organizer Diary/Planner	Rate per No		
44	Distribution of leaf lets	Rate per 1000 Nos.		
45	Pasting of posters	Rate per No.		
46	Flex banner in wooden/square bar frame work	Rate per 1 Sft.		
47	Flower bouquet			
	a. Basket Type	Rate per No.		
	b. Cone Type	Rate per No.		
	c. Roses with oriental Lily	Rate per No.		
48	Mineral water			
	a. 1 Ltr Bottle	Rate per 1 bottle		
	b. 20 Ltr Bottle	Rate per 1 bottle		
49	Use and throw cup and glass	Rate per 100 Nos.		
50	Bleaching	Rate per 1 Kg.		
51	Phenyl	Rate per 1 Ltr.		
52	Sanitol	Rate per 1 Ltr.		
53	Naptholin	Rate per 1 Kg.		
54	PH Plumber - 1 no. per shift	Rate per 1 No.		
55	Identity Card of approved design with Tag, Card holder and clip etc.	Rate per 1 No.		
56	Providing temporary stage with shamiyanna. Temporary bamboo structure with tarpaulin and cloth ceiling, walling etc. for 1000 persons along with 15 sofas, 1000 nos. chairs, 25 nos. executive chairs with cost of 25 nos. of white new Turkish towels for the inaugural/ closing functions/ seminar/ work shop/buyer seller meet. A temporary urinal to be provided along with proper sanitary arrangement.	1 Unit		



57	Appliqué lamp	1 No. per Day		
58	Plat form with wooden frame work block board covering	Rate per Sft.		
59	Temporary structure with tarpaulin cover and 4size ply work with false ceiling, carpeting, rack counter etc. all complete	Rate per Sft.		
60	Color Cartridge Set (4 Nos.) for Printer Model (HP Color Laser Jet 2600n)	Rate per 1 Set.		
61	Black Cartridge for HP 2600n Laser Printer	Rate per 1 No		
62	Computer Paper A4 size (JK BOND MAKE)	Rate per 1 Pkt		
63	Coverage of entire ground under CCTV	L.S		
64	Barricade- The basic structure is to be constructed with balli pillars and bamboo of 4' height with 4" thick and 1" depth railing to be fabricated with wooden frame work covering with approved design flex in 4 sites both in top and bottom rail and fixing of handloom motif /sarees made of flex of 4' width and 4' height in each 8' gap.	1 Rft.		
65	Decorative kalasa consisting with 3 numbers earthen pots with traditional painting including cost of green coconut and mango leaf.	1 Set		
66	Preparation of traditional Goddess Mandap with stone / brick with different statue and coloring and painting with traditional jhoti under the existing tree inside the Expo premises.	1 Unit		
67	Ad through Auto by pesting 2 Ft. x 2 Ft. Vinyle Sticker in backside of Auto for one month time.	1 No.		
68	(A) 85 watt LED bulb	Per No / per day		
	(B) 65 Watt LED Bulb	Per No / per day		
	(C) 45 Watt LED Bulb	Per No / per day		
	(D) 18 / 20 Watt LED Bulb	Per No / per day		
69	Synthetic carpet / green net for covering the ground.	1 sft. for 1 day		
70	a) Boundary wall of 2~6" height with wooden frame work covering both with Hessian cloth painting with terracotta marking stone joint	1 Rft. For 1 day		
	b) Boundary wall of 2~6" height with wooden frame work covering both side with Flex of approved Design	1 Rft. For 1 day		
71	Sound System			
	i) Linearray 3Way (JBL, Turbo Audio, RCF, other equivalent brand) - 12nos.	L.S		
	ii) Dual Bass (JBL, Turbo Audio, RCF, other equivalent brand) - 8nos.			
	iii) Scarfolding/Tower for Linearray Hanging 25ft Height - 1 pair			
	iv) Stage Floor minitor (JBL, RCF, QSC, LA, other equivalent brand) - 8nos.			
	v) Side Fills (Dual bass & Dual 15"Top) (JBL, RCF) - 2 pairs			
	vi) Analog 32ch Mixer with operator (Yahama, Soundcraft) - 1no.			
	vii) Digital 32ch Mixer with operator (Yahama, Soundcraft) - 1no.			
viii) Snake Cable 32ch - 1no.				

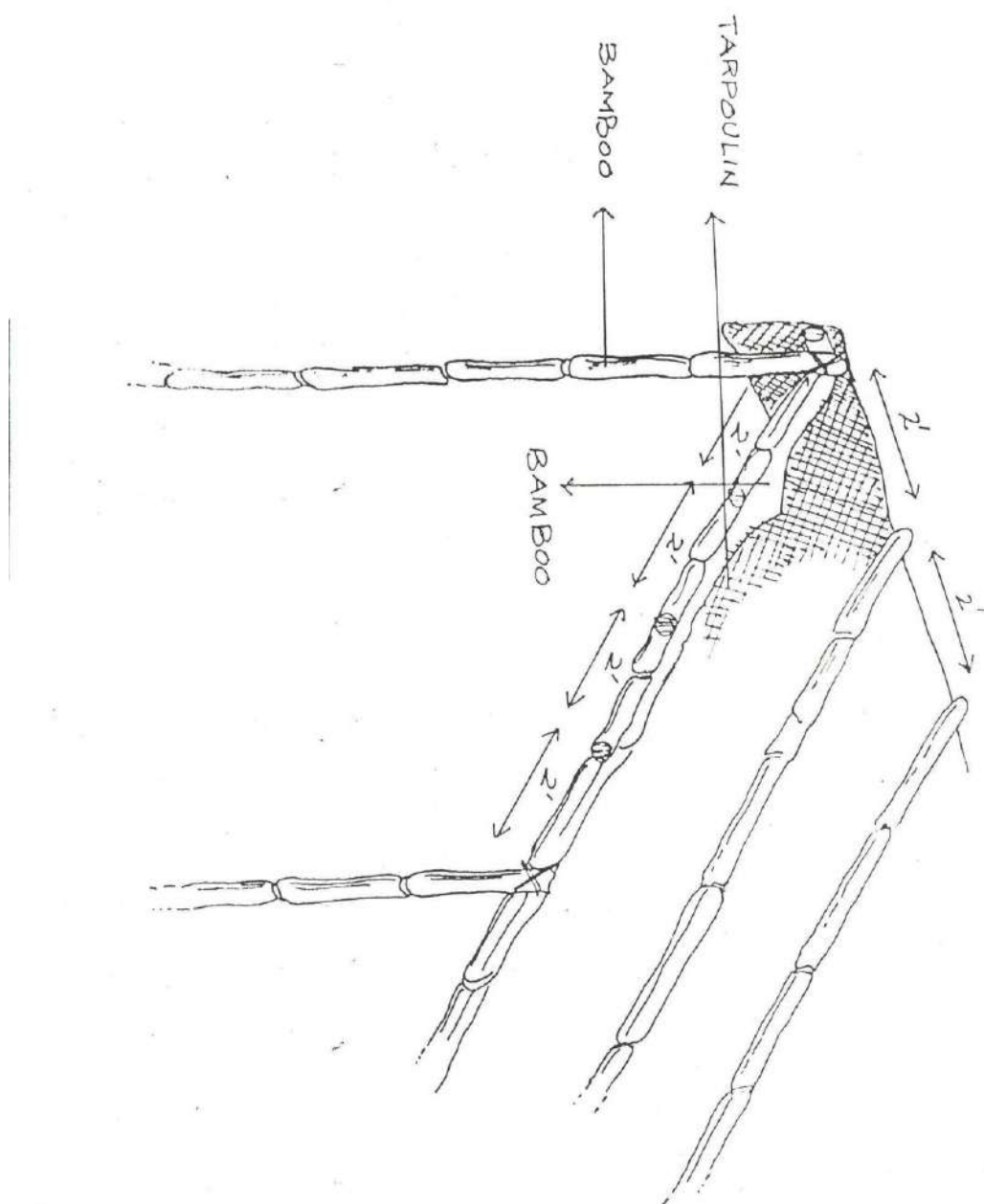


	ix) Cordless (Shure, JTS, Senhizer) - 4nos.			
	x) Corded Instrument Mic(Shure, JTS, Senhizer) - 6nos.			
	xi) Corded Corous Mic (Shure, JTS, Senhizer) - 10nos.			
	xii) Cordless lapel, head mic - 2nos.			
	xiii) Podium Mic (Shure, JTS, Senhizer) - 2nos.			
	xiv) Drum kit Mic 7pic (Shure, JTS, Senhizer) - 1 set			
	xv) Di Box (BSS) - 5nos.			
	xvi) Mic Stand Tall - 10nos.			
	xvii) Mic Stand Small - 8nos.			
	xviii) Notation Stand - 1no.			
	xix) Clearcomm - 4nos.			
	xx) 200A Changeover & Bussbar - 1 set			
	xxi) Main cable (100m 3Phase) - 1 no.			
	xxii) Other necessary Item to run the show & equipment smoothly			
72	Light System			
	i) Moving head Sharpy (18R or 20R)/Ponty -35nos.	L.S		
	ii) LED PAR 5W RGBW- 70nos.			
	iii) LED PAR 5W WW - 30nos.			
	iv) PAR64-1KW (Bulb 61, 62 & 64) - 70nos.			
	v) Dimmer Pack 24 KW - 4nos.			
	vi) 4Eye WW LED Blinder - 4nos.			
	vii) 6 Head Leaser - 4nos.			
	viii) Smoke Machine 1500w - 2nos.			
	ix) Haze Machine 1500w - 4nos.			
	x) Avolite Pearl 2010 (with Operator) - 2nos.			
	xi) Big T Light Stand - 6nos.			
	xii) 200A Changeover & Bussbar - 1set			
	xiii) Main cable (100m 3Phase) - 1no.			
	xiv) Arena Console - 1no.			
	xv) Profile - 6nos.			
	xvi) Other Necessary Item to run the show & equipment Smoothly			
73	LED Backdrop 8` 3`` x 9` 3`` with side wing – 6 Nos. – 10` x 6`	L.S (For One Show)		
74	Sand	1 truck load(6 cum)		
75	Crusher Dust	1 truck load(6 cum)		
76	Bricks	1000Nos.		
77	Wages of Male/Female Mulia	One Per day		
78	Display ballon of 10' dia at Approved height (permission from Concerned authority for installation Shall have to be obtained by the Contractor).	1 No		
79	Ballon decoration inside the Expo ground	1000nos. per day		
80	Vinyl stickering	1sft.		
81	Vinyl stickering on sun board and its mounting.	1sft.		
82	Backlit signage with square bar frame work covering with GI/Tin sheet including cost of reputed make tube lights fittings etc. all complete.	1sft.		
83	Front lit signage with square bar frame work mounting with approved design good quality flex including fixing charges etc. all complete.	1sft.		
84	Display through LED wall	Rate per Sqft. per day		

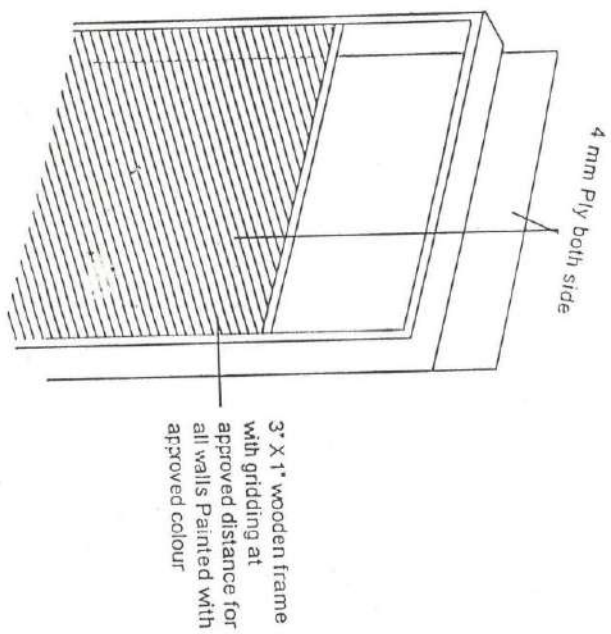


85	Exhibition stall of National/International repute made up wooden frame work covering with Ply painting with approved colour, laminated with approved laminate, providing with lightening arrangement, fixing of approved design handloom motifs, fixing of display arrangement, provision of storage of handloom/handicraft items.	Per Sft.		
86	Arrangement of Fashion Show (without infrastructure) with 12 nos. (6 Male & 6 Female) of Models of National Repute.			
	a) With A Grade Models	1 Show		
	b) With B Grade Models	1 Show		
	c) With C Grade Models	1 Show		
87	Arrangement of Fashion Show (without infrastructure) with 12 nos. (6 Male & 6 Female) of Local Models.	1 Show		
88	Circular shape passage light of minimum 10 Ft. dia with 4 Watt LED bulb inside road of the Complex.	Rate per set per day.		

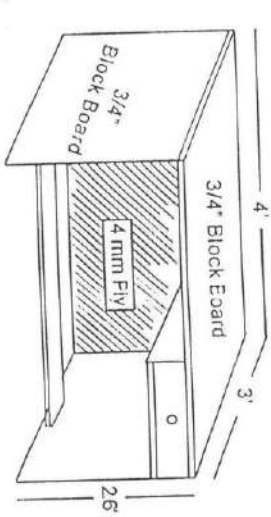
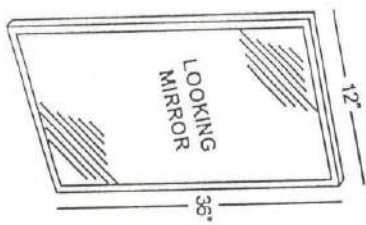
Sd/-
Managing Director



Drawing No-1

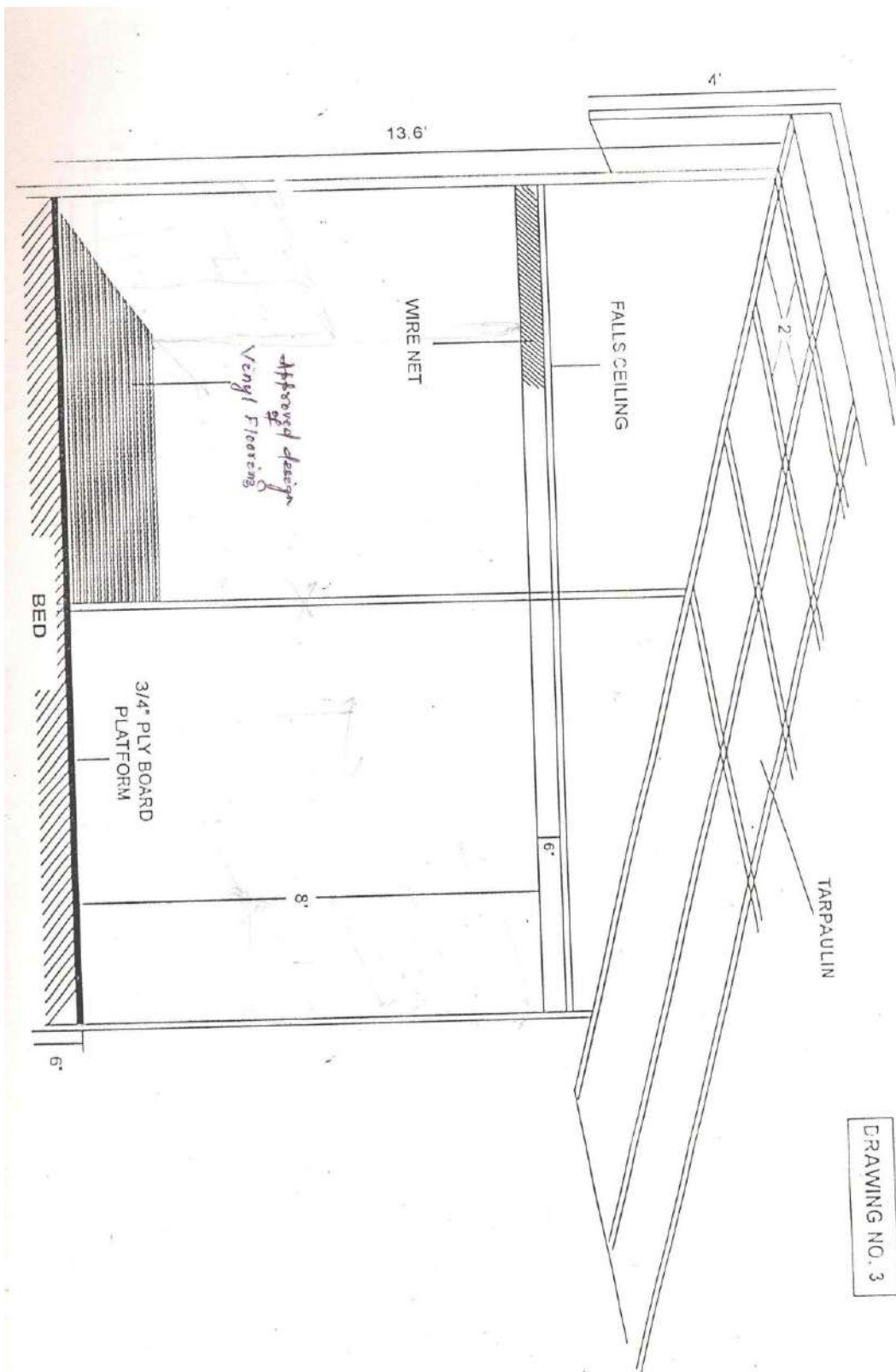


DRAWING NO. 2

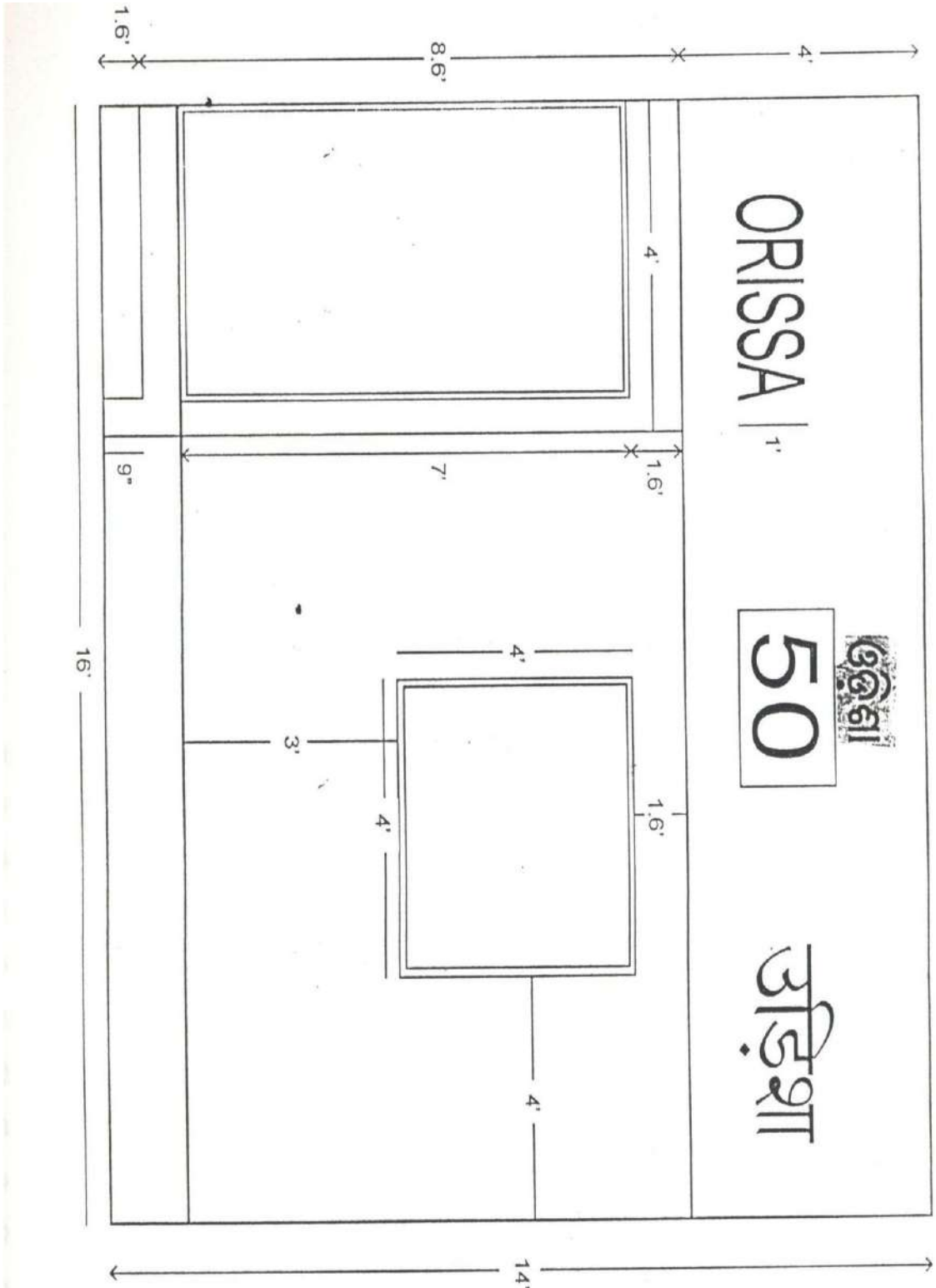


CASH COUNTER WITH DRAWER & LOCKER, LATCH, PAINTED WITH APPROVED COLOUR

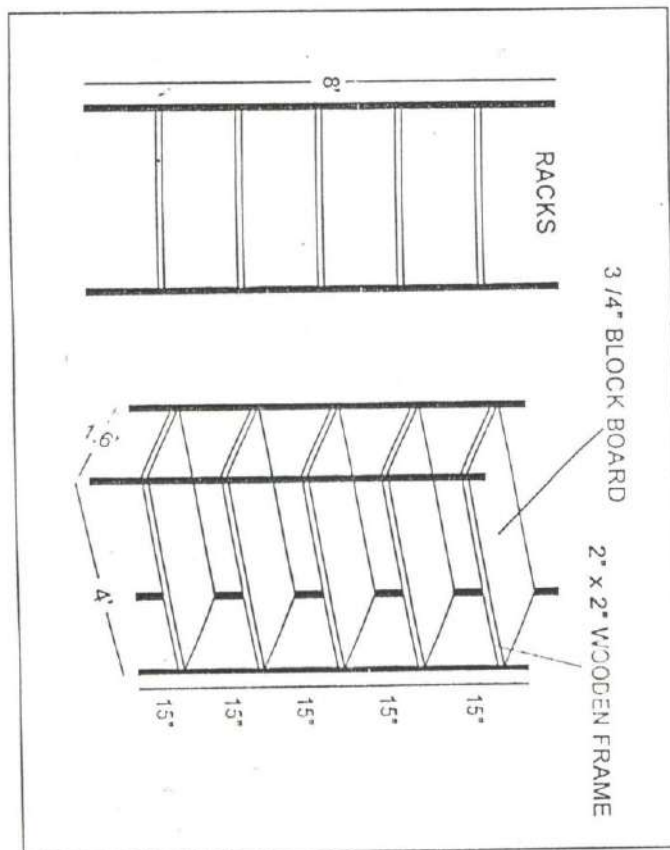
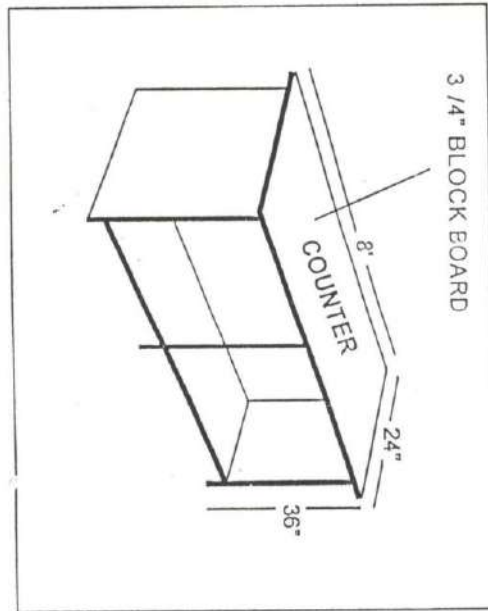
Drawing No-2



Drawing No-3



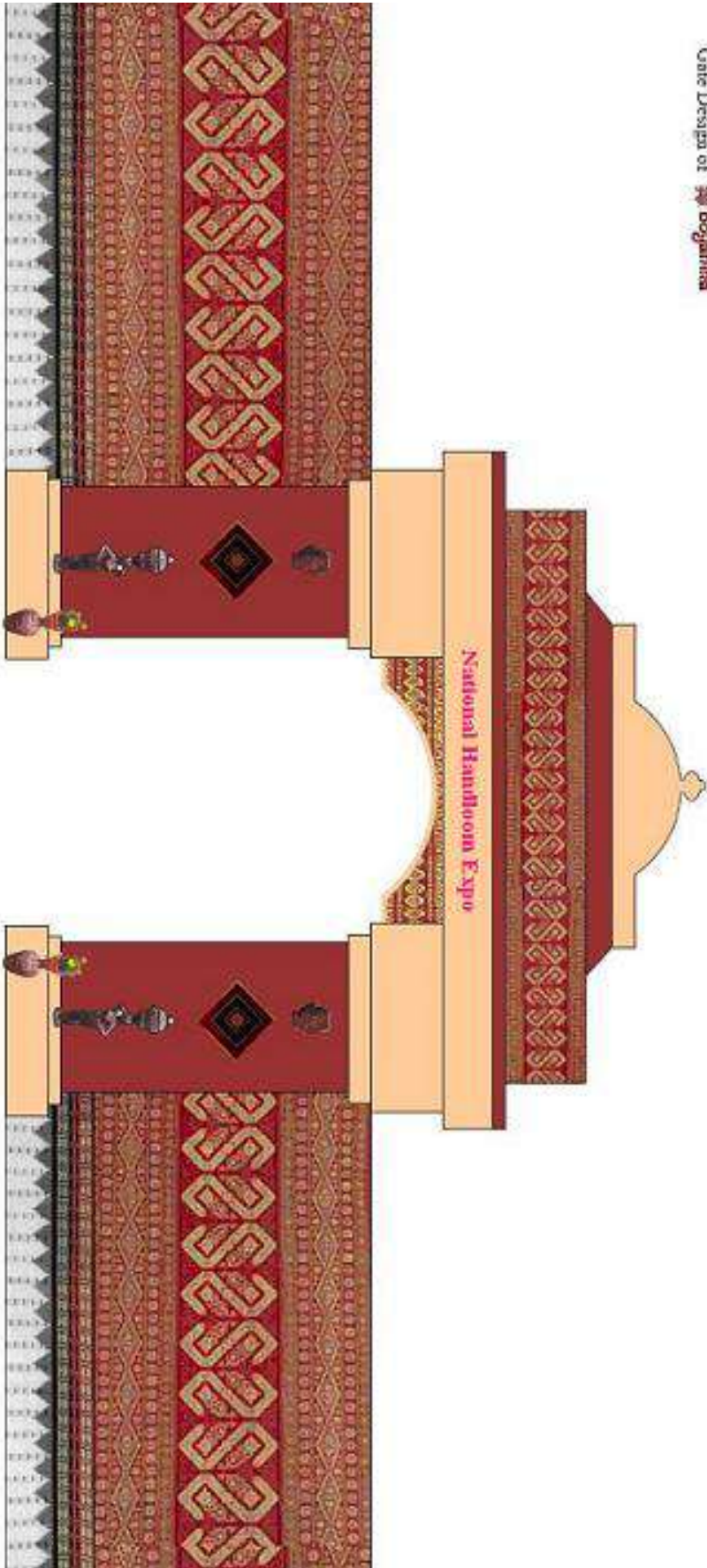
Drawing No-4



Drawing No-5



Gate Design of  Bengaluru



Drawing No-6



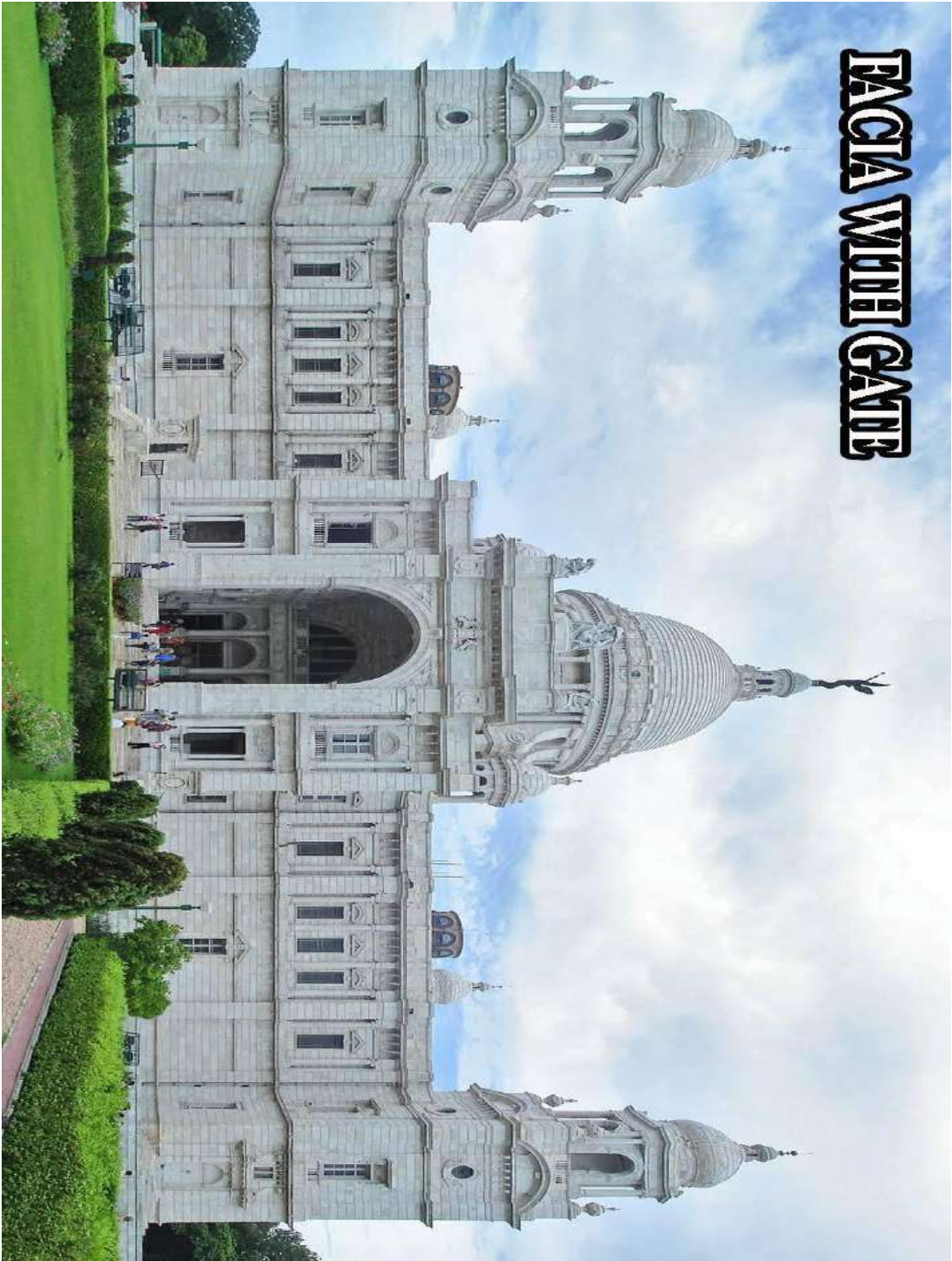
Drawing No-7



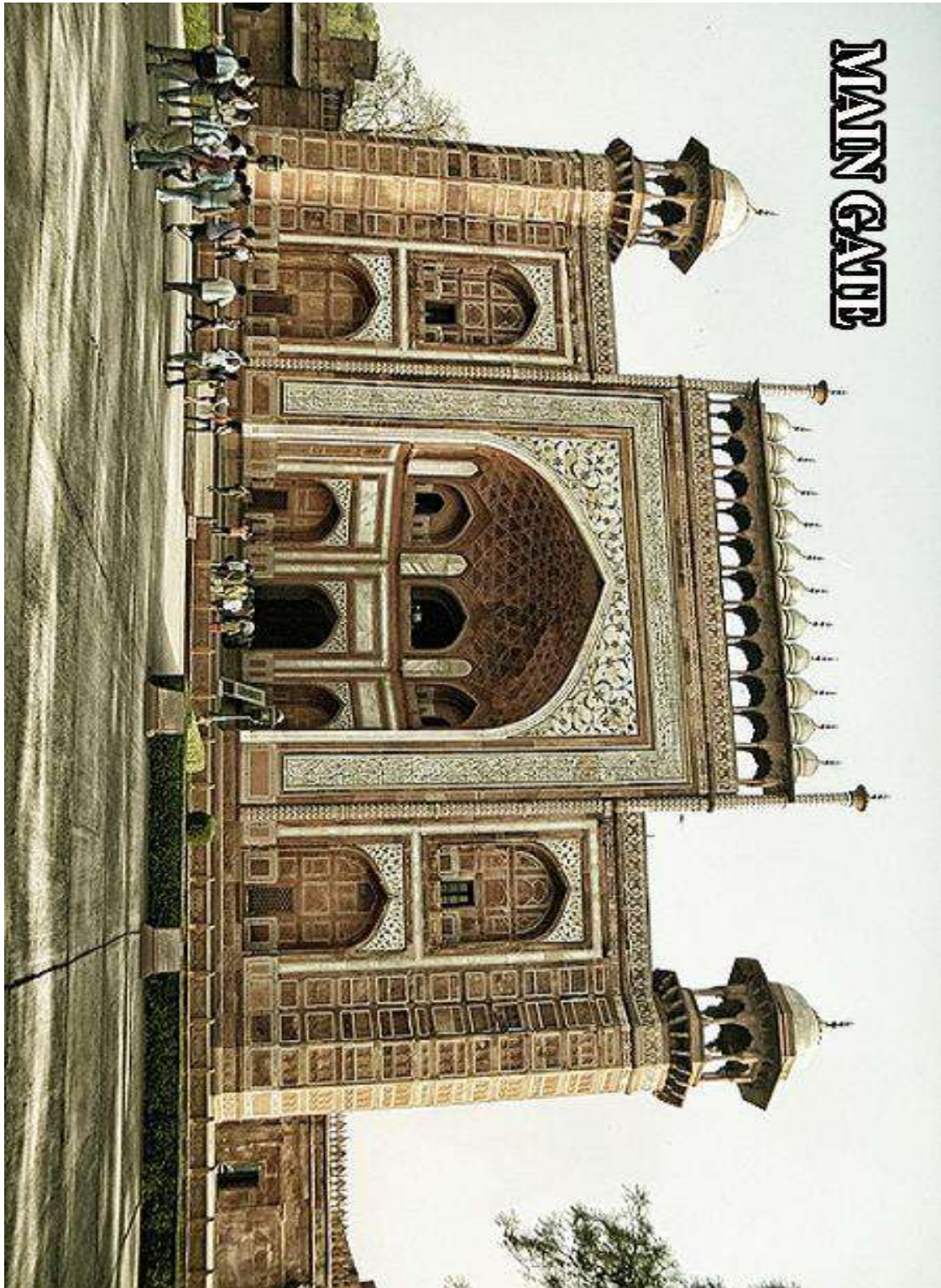
Drawing No-8



Drawing No-9



Drawing No-10



Drawing No-11



Drawing No-12

UNDERTAKING

(On the Bidder's Letter Head regarding not have any pending judicial proceedings for any criminal offence)

I, hereby undertake that there is no criminal case pending in any Court of Law against our company or against the Proprietor/Director/Persons to be deployed by our company.

I/we further certify that Proprietor/Director/Persons to be deployed by our company /of my company have not been convicted of any offence in any Court in India during the recent past. I understand that I am fully responsible for the contents of this undertaking and its truthfulness.

**Authorized Signature
(in full and initials)**

**Name and Designation of the Signatory
Name of the Bidder and Address:**

Annexure-II

UNDERTAKING

(on the Stamp Paper of appropriate value in shape of affidavit from the Notary regarding non-blacklisting)

I, hereby undertake that, our organisation has not been blacklisted/debarred by any of the Central/State Government Department/Office or by any Public Sector undertaking (PSUs) and not blacklisted by any authority during the recent past

**Yours sincerely,
Authorized Signature
(in full and initials)**

**Name and Designation of the Signatory
Name of the Bidder and Address:**

UNDERTAKING

(On the Bidder's Letter Head regarding trueness of the submitted information)

I hereby declare that all the information and statements provided in the technical proposal are true and correct and I accept that any misinterpretation contained in it may lead to disqualification of our proposal.

**Authorized Signature
(in full and initials)**

**Name and Designation of the Signatory
Name of the Bidder and Address:**

**TECHNICAL BID COVERING LETTER
(ON BIDDER LETTER HEAD)**

[Location & Date]

To

**Name and Designation of
Tender Inviting Authority]
(Office Address and Location]**

Sub Construction of Exhibition Pavilion/Stalls/Front Gate, Stage, PH work, Electrification Work and other services for the proposed National Level Handloom Expo to be held at Unit-III, IDCO Exhibition Ground & Ekamra Haat, Bhubaneswar for the period from 04.09.2024 to 06.10.2024 (Technical Proposal)

Dear Sir,

I, the undersigned, offer to participate in the tender process to provide services for “Construction of Exhibition Pavilion/Stalls/Front Gate, Stage, PH work, Electrification Work and other services for the proposed National Level Handloom Expo to be held at Unit-III, IDCO Exhibition Ground & Ekamra Haat, Bhubaneswar for the period from 04.09.2024 to 06.10.2024 (Technical Proposal)” in accordance with your Tender Notice No.2281 Dt.22.07.2024. We are hereby submitting our tender, which includes Technical bid and Financial bid sealed in separate envelopes.

I, hereby declare that all the information and statements provided in the technical bid are true and correct and I accept that any misinterpretation contained in it may lead to disqualification of our proposal. Our bid will be valid for acceptance up to 31.03.2025 and I confirm that this offer will remain binding upon us and may be accepted by you at any time before the validity of the bid.

I, hereby unconditionally undertake to accept all the terms and conditions as stipulated in the Tender document. In case any provision of this tender are found violated, then your office shall have the rights to reject our proposal including forfeiture of the earnest money deposit absolutely.

I remain,

Yours faithfully,

**Authorized Signatory
with Date and Seal**

Name and Designation: _____

Address of the Bidder: _____

1	Name of the Bidder	
2	Details of Tender document Cost (Demand Draft Details)	DD No.
		Date
		Amount (Rs.)
		Drawn on Bank.
3	Details of EMD: (Demand Draft Details)	DD No.
		Date
		Amount (Rs.)
		Drawn on Bank.
4	Name of the Director/Proprietor	
5	Full Address of Registered Office	Postal Address
		Telephone No.
		FAX No.
		E-mail Address
6	Name & telephone no. of the authorized person signing the bid	
7	Bank Name	Account Number:
		Bank & Branch Name
		IFSC Code
8	PAN No. (Attach self attested copy)	
9	GSTIN (Attach self-attested copy)	
10	Acceptance to all the terms & conditions of the tender (Yes/No)	
11	Power of attorney/authorization letter for signing of the bid documents (submitted/not submitted)	
12	Undertaking that no criminal case is pending with the police at the time of submission of bid. (submitted/not submitted)	
13	Kindly mention the total number of pages in the tender document	
14	Financial turnover of the bidder for the last 3 financial year	
	Financial Year	Turnover Amount (in Rs.)
	FY 1	Average turnover (in Rs.)
	FY 2	
	FY 3	

15	Details of the similar type service provided by the bidder in last 7 years :					
Sl	Period	Name of the authority with complete address & phone No.	Name of the work	Contract Amount (in Rs.)	Duration	
					From	To

16. Declaration :

I, Sri son/daughter/wife of Sri, Proprietor/Director/Authorized Signatory of (Name of the Service Provider), competent to sign this declaration and execute this tender.

I have carefully read and understood all the terms & conditions of the tender and undertake to abide by them.

The information and documents furnished along with the tender are true and authentic to the best of my knowledge and belief. I am well aware of the fact that, furnishing of any false information/fabricated document would lead to rejection of our tender at any stage besides liabilities towards prosecution under appropriate law.

(Signature of Authorized Representative with seal)

Place:.....

Date:.....

Enclosures :

- i. Tender cost in the form of Demand Draft in original.**
- ii. EMD in the form of Demand Draft in original.**
- iii. Copy of the tender document (each page must be signed & sealed)**
- iv. Duly filled Technical Bid.**
- v. List of Documents as applicable.**

**FINANCIAL BID COVERING LETTER
(ON BIDDER LETTER HEAD)**

[Location & Date]

To

**Name and Designation of
Tender Inviting Authority]
(Office Address and Location]**

Sub

Construction of Exhibition Pavilion/Stalls/Front Gate, Stage, PH work, Electrification Work and other services for the proposed National Level Handloom Expo to be held at Unit-III, IDCO Exhibition Ground & Ekamra Haat, Bhubaneswar for the period from Dt.04.09.2024 to Dt.06.10.2024 (Financial Proposal)

Dear Sir,

I, the undersigned, offer to provide the services for “Construction of Exhibition Pavilion/Stalls/Front Gate, Stage, PH work, Electrification Work and other services for the proposed National Level Handloom Expo to be held at Unit-III, IDCO Exhibition Ground & Ekamra Haat, Bhubaneswar for the period from 04.09.2024 to 06.10.2024 (Financial Proposal)” in accordance with your Tender No.: 2281 Dt.22.07.2024. Our attached financial price is {insert amount(s) in words and figures} for the proposed service}. This amount is exclusive of the taxes applicable as per GST Act. I do hereby undertake that, in the event of acceptance of our bid, the services shall be provided in respect to the terms and conditions as stipulated in the tender document.

Our financial bid shall be binding upon us subject to the modifications resulting from contract negotiations, up to expiration of the validity period of the proposal i.e. up to 31.03.2025. I have carefully read and understood the terms and conditions of the tender to provide the services accordingly.

I understand that you are not bound to accept any proposal you receive. I remain,

Yours faithfully,

**Authorized Signature
(in full and initials)**

Name and Designation of the Signatory and Seal :

Address of the Bidder:

Annexure - VI

BID SUBMISSION CHECK LIST (TO BE INSERTED AS FIRST PAGE OF TECHNICAL BID, with page marking.

Sl	Description	Submitted (Yes/No)	Page No.
TECHNICAL BID (ORIGINAL)			
1	Covering letter along with information in Bidders Letter Head.		
2	Tender Document Cost (Demand Draft)		
3	EMD (Demand Draft)		
4	Self attested photocopy of PAN and return certificate of income tax for 2020-21, 2021-22 & 2022-23.		
5	Self attested photocopy of GST/ GSTIN registration Certificate and return copies up to 31st March 2024		
6	Audited statement of accounts (Balance sheet & Profit Loss account) of the firm for similar nature of business showing turnover not less than 1.00 Crore (Rupees One Crore) Only in each year for the last 3 financial years(2020-21, 2021-22 & 2022-23) and I.T. return Acknowledgements		
7	Power of Attorney in favour of the person signing the bid on behalf of the bidder.		
8	List of completed assignments of similar nature (Past Experience Details) along with the copies of work orders/ completion Certificate for the respective assignments from the authorities.		
9	Willingness of a registered security agency along with their registration certificate & other required statutory documents necessary for a security agency.		
10	Fire fighting MOU from a registered/duly certified/authorized fire agency with equipment and manpower along with consent letter of the agency.		
11	Self attested photocopy of valid electrical license from competent Authority or authorization from any registered electrical contractor		
12	Willingness of a registered cleaning & sanitation personnel from a registered/duly certified/ authorized cleaning & sanitation agency		
13	Undertaking for not have been black-listed by any Central/ State Govt./any Autonomous bodies during last 3 years		
14	Undertaking for not having any police case pending against the bidder		
15	Undertaking regarding trueness of information submitted.		
FINANCIAL BID (ORIGINAL)			
1	Covering Letter in bidders letter Head		
2	Duly filled in Financial Bid		

It is to be ensured that :

All information has been submitted as per the prescribed format only.

Each part has been separately bound with no loose sheets and each page are page number along with Index page.

All pages of the proposal needs to be sealed and signed by the authorized representative.

Authorized signatory (in full and initials): _____
Name & Designation with Date and Seal: _____